



PR-35 'Faun'
Country of origin:
Czechoslovakia

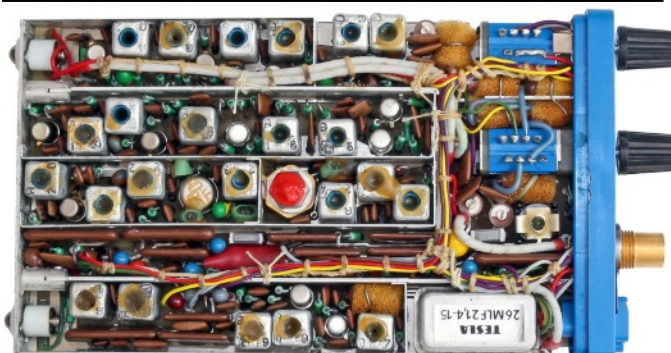
DATA SUMMARY

Organisation: GDR MfS.
Design/Manufacturer: Tesla, Czechoslovakia.
Year of Introduction: 1977.
Purpose: Surveillance, covert operations by Stasi and VoPo. (Volks-Polizei = People's Police)
Transmitter-Receiver:
Frequency coverage: 160MHz band, divided in three ranges indicated by a coloured dot. 3 channels. 25kHz channel spacing. F3. Simplex. 1750Hz call tone.
RF Output: 300mW.
Power Supply: 6V 225mAH rechargeable NiCad battery.
Size (cm): Height 18.8, length 7.9, width 1.9.
Weight: 455g including battery.

REMARKS

PR-35 'Faun' was a miniature body wearable miniature VHF FM covert transceiver. Based on the standard PR-35, produced by Tesla in Czechoslovakia and introduced in 1977, it was exported and mainly used in the GDR. It was intended for surveillance and covert operations by the secret service (Stasi), and the VoPo (Volkspolizei) as a successor of the UFT-421 (See Chapter 83).

The 'Faun' came with a number of accessories allowing it to be used for two different configurations: for normal communication and for covert operations. (See next page for details). A wireless 'behind-the-ear earphone', similar to a hearing aid was developed in the GDR for use with the 'Faun' and 'Oberon'. (See description in Chapter 121).



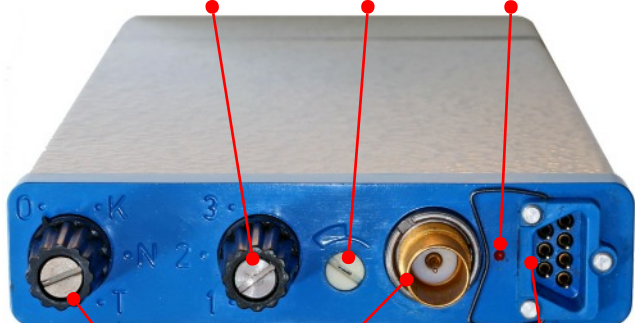
Inside view with cover detached showing component side of PCB.

Civil services version.



The PR-35 'Faun' was based on the standard Tesla PR-35 hand-held radio, used by the Czechoslovak police and other civil services operating in the 80MHz band. (Right) It was similar in size and differed only in in detail, apart from the black colour and built-in loudspeaker. The 'Faun' 160MHz covert version was primarily exported to the GDR.

Channel selector switch. Squelch. Coloured dot.



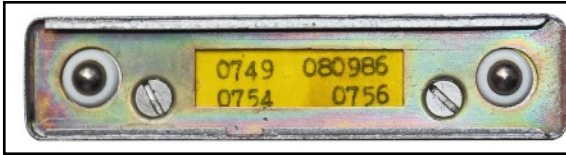
Function switch. Aerial socket. Accessories socket.

Control panel of PR-35 'Faun'. (Left)
The function switch had four positions: O (off), K (traffic), N (audible tone call) and T (silent call).

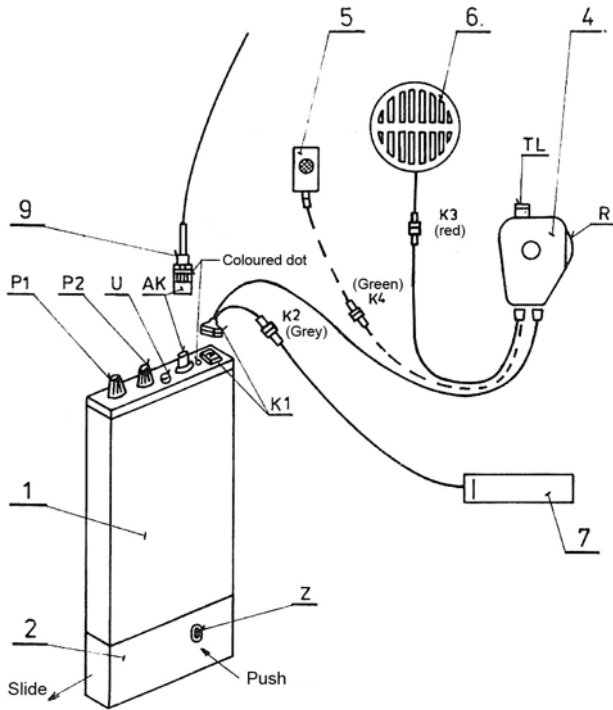
References:

This chapter is an abridged version based on a full account of the PR-35 'Faun' described in www.cryptomuseum.com
Photos taken from the combined speaker/mic., wire aerial, PR35 standard and scans from the user handbook were published with kind permission of the Crypto Museum, Eindhoven, Holland.

Calling a user was achieved by an audible tone from the loudspeaker (function switch in N position) or silent call (function switch in T position) actuating a small vibrator unit carried in the pocket. In the GDR the PR-35 'Faun' was intended to be replaced by the PR 36 'Oberon' in 1989. (See Chapter 121). Due to the collapse of the Soviet Union and the fall of the Berlin wall it never was issued on any scale. In Roman mythology the God Faun (Faunus) protected the herds against the wolves. These days we may have different views on associating this name to this radio and their users..



On the bottom of the set was a plate with the serial number and the three channel numbers. The calculation for converting a channel number to frequency was: $F = ((Ch*25) / 1000) + 147$. The channels of this set were 165.975, 166.100, and 166.150 MHz.



Configuration for covert operation. The lapel microphone (5) was probably not always issued. The cable to the separate PTT unit (4) was usually led through a sleeve of the coat allowing operation of the PTT button and volume control.

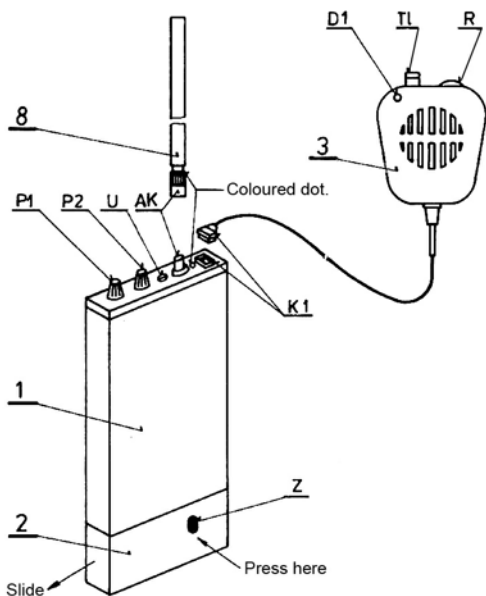
A combined loudspeaker-microphone (3) was an alternative to the covert version



As an alternative to the miniflex aerial a wire aerial (9) was issued which could easily be concealed under the user's clothing. The red dot next to the aerial socket matched the red ring on the antenna connector. The colour red indicated the 166 MHz band, while yellow would indicate the 152 MHz band. A third colour indicated the 170 MHz band.



Clarification and positions of PR-35 'Faun' accessories in its transit case.



Configuration for normal communication using the combined speaker-microphone assembly.

| | |
|----|-----------------------|
| 1 | PR-35 'Faun' |
| 2 | Battery. |
| 3 | Loudspeaker/micr. |
| 4 | PTT unit. |
| 5 | Lapel microphone. |
| 6 | Loudspeaker/micr. |
| 7 | Vibrator unit. |
| 8 | Miniflex aerial. |
| 9 | Wire aerial. |
| 10 | Leather strap. |
| 11 | Battery adapter. |
| 12 | Fixing screw for 11. |
| P1 | Function switch. |
| P2 | Channel selector. |
| U | Squelch control. |
| AK | Aerial socket. |
| K1 | Accessories socket. |
| K2 | Vibrator unit socket. |
| K3 | LS/Micr. Socket. |
| K4 | Lapel micr. Socket. |
| D1 | Transmit indication. |
| TL | PTT button. |
| R | Volume control. |
| Z | Battery lock button. |

